



Micro Commercial Components

Micro Commercial Components
20736 Marilla Street Chatsworth
CA 91311
Phone: (818) 701-4933
Fax: (818) 701-4939

SAC5.0 THRU SAC50

Features

- Lead Free Finish/Rohs Compliant (Note1) ("P" Suffix designates Compliant. See ordering information)
- Glass Passivated Junction
- Excellent Clamping Capability
- Case Material: Molded Plastic. UL Flammability Classification Rating 94V-0 and MSL rating 1
- UL Recognized File # E222849

500W Low Capacitance Transient Voltage Suppressor

Mechanical Data

- Weight : 0.4g

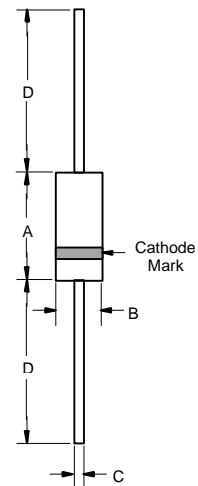
Maximum Ratings

	Symbol	Value	Units
Peak Pulse Power Dissipation with a 10/1000 μ s Waveform(Note 1)	P_{PPM}	500(min)	Watts
Steady State Power Dissipation @ $T_L=75^\circ\text{C}$ with lead lengths or 0.375"(9.5mm)	$P_{M(AV)}$	3	Watts
Peak Pulse Power Surge Current with a 10/1000 μ s Waveform(Note 2. FIG.3)	I_{PPM}	See Table1	Amps
Junction Temperature	T_J	-55 to 175	$^\circ\text{C}$
Storage Temperature Range	T_{STG}	-55 to 175	$^\circ\text{C}$

NOTE: 1) High Temperature Solder Exemptions Applied, see EU Directive Annex 7.

- 2) Non-repetitive current pulse, per Fig.3 and derated above $T_A=25^\circ\text{C}$, per Fig.2

DO-15



DIM	DIMENSIONS				NOTE
	INCHES		MM		
	MIN	MAX	MIN	MAX	
A	0.230	0.300	5.80	7.60	
B	0.104	0.140	2.60	3.60	
C	0.026	0.034	0.71	0.86	
D	1.000	-----	25.40	-----	

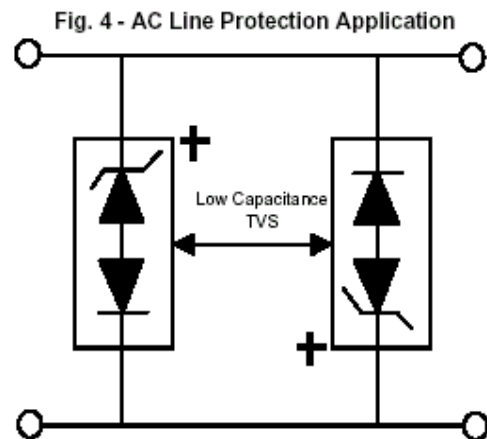
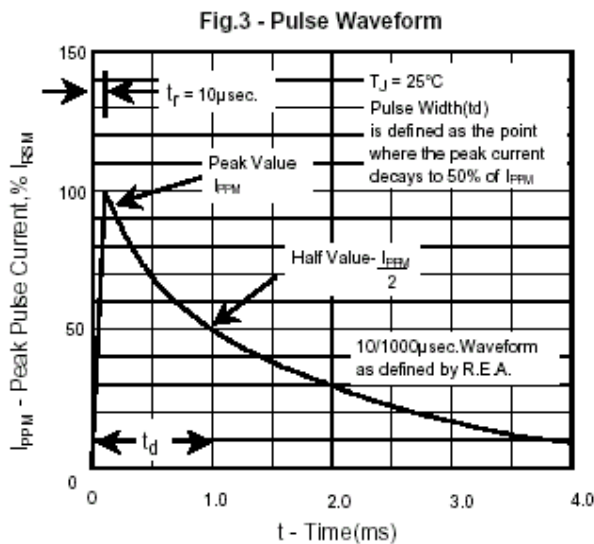
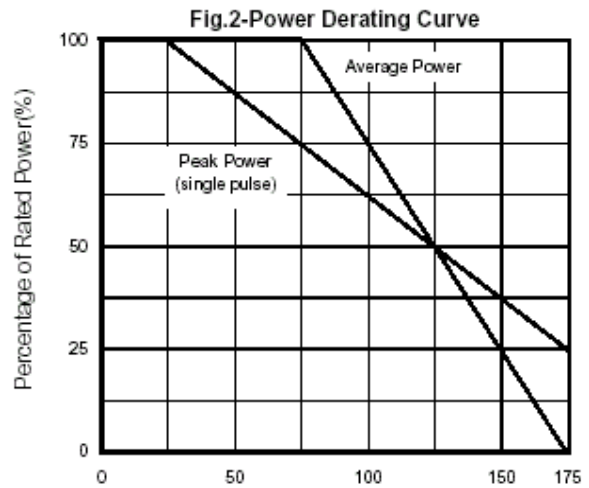
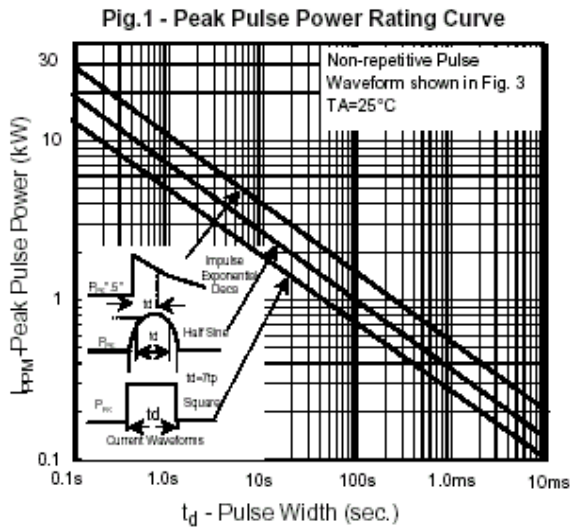
ELECTRICAL CHARACTERISTICS @25°C

MCC PART NUMBER	STAND-OFF VOLTAGE (NOTE 1) V_{WM} V	MINIMUM BREAKDOWN VOLTAGE AT $I_T=1.0\text{Ma}$ $V_{(BR)}$ V	MAXIMUM REVERSE LEAKAGE AT V_{WM} IR μA	MAXIMUM CLAMPING VOLTAGE AT $I_{PP}=5.0\text{A}$ V_C V	MAXIMUM PEAK PULSE CURRENT PER FIG.3 IPP Amps	MAXIMUM JUNCTION CAPACITANCE AT 0 VOLTS pF	WORKING INVERSE BLOCKING VOLTAGE V_{WIB} V	PEAK INVERSE BLOCKING VOLTAGE V_{PIB} V
SAC5.0	5.0	7.60	300	10.0	44.0	50	75	100
SAC6.0	6.0	7.90	300	11.2	41.0	50	75	100
SAC7.0	7.0	8.33	300	12.6	38.0	50	75	100
SAC8.0	8.0	8.89	100	13.4	36.0	50	75	100
SAC8.5	8.5	9.44	50	14.0	34.0	50	75	100
SAC10	10.0	11.10	5	16.3	29.0	50	75	100
SAC12	12.0	13.30	5	19.0	25.0	50	75	100
SAC15	15.0	16.70	5	23.6	20.0	50	75	100
SAC18	18.0	20.00	5	28.8	15.0	50	75	100
SAC22	22.0	24.40	5	35.4	14.0	50	75	100
SAC26	26.0	28.90	5	42.3	11.1	50	75	100
SAC30	30.0	33.30	5	48.6	10.0	50	75	100
SAC36	36.0	40.00	5	60.0	8.6	50	75	100
SAC45	45.0	50.00	5	77.0	6.8	50	150	200
SAC50	50.0	55.50	5	88.0	5.8	50	150	200

NOTE:

- 1) Non-repetitive current pulse, per Fig.3 and derated above $T_A=25^\circ\text{C}$, per Fig.2

Ratings and Characteristic Curves ($T_A=25^\circ\text{C}$ unless otherwise noted)



Application Note: Device must be used with two units in parallel, opposite in polarity as shown in circuit for AC signal line protection.



Micro Commercial Components

Ordering Information

Device	Packing
(Part Number)-TP	Tape&Reel;4Kpcs/Reel
(Part Number)-BP	Bulk;500pcs/Box

IMPORTANT NOTICE

Micro Commercial Components Corp .reserves the right to make changes without further notice to any product herein to make corrections, modifications , enhancements , improvements , or other changes .
Micro Commercial Components Corp . does not assume any liability arising out of the application or use of any product described herein; neither does it convey any license under its patent rights ,nor the rights of others . The user of products in such applications shall assume all risks of such use and will agree to hold *Micro Commercial Components Corp* . and all the companies whose products are represented on our website, harmless against all damages.

APPLICATIONS DISCLAIMER

Products offer by *Micro Commercial Components Corp* . are not intended for use in Medical, Aerospace or Military Applications.